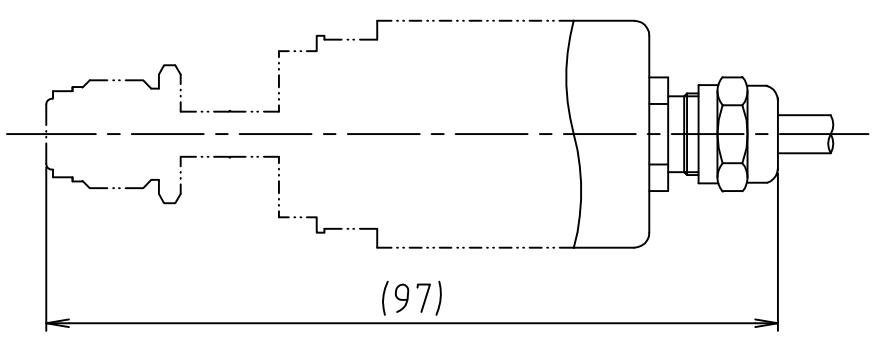
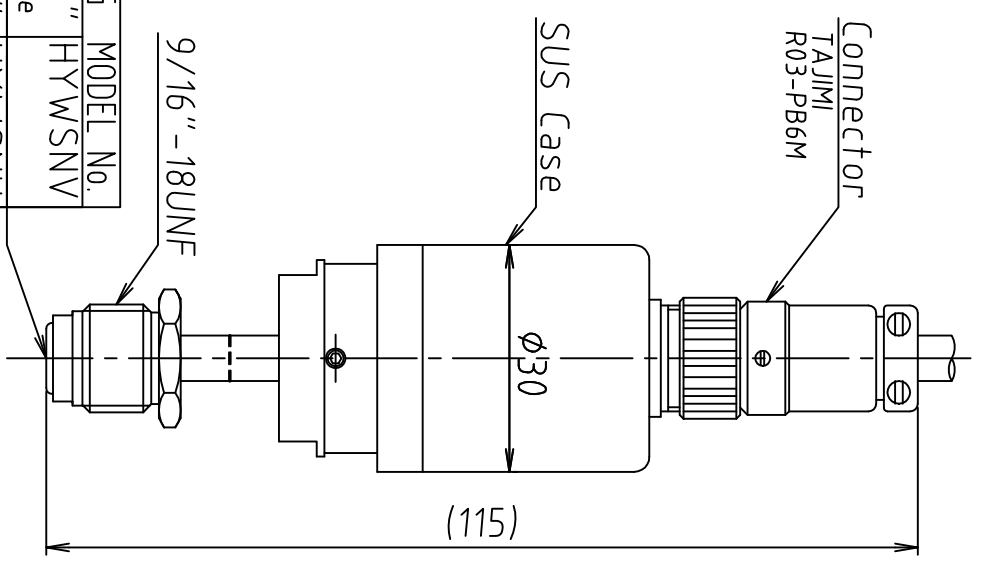
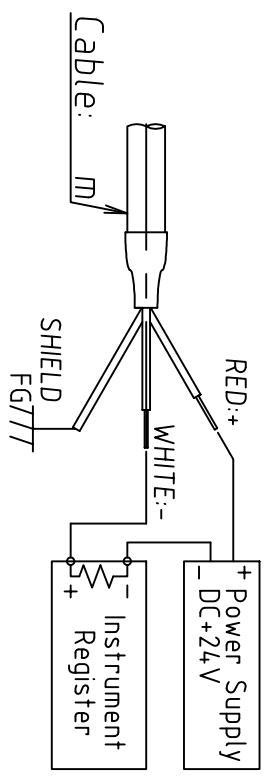


WIRING

CONNECTOR
HYWSND-420IC1

Cable Gland
HYWSND-420PC1

OUTPUT SIGNAL: 4-20mA



<input type="checkbox"/>	FITTING	MODEL No.
<input type="checkbox"/>	VCR1/4"	HYWSNV
<input type="checkbox"/>	Compatible	
<input type="checkbox"/>	UJR1/4"	HYWSNU

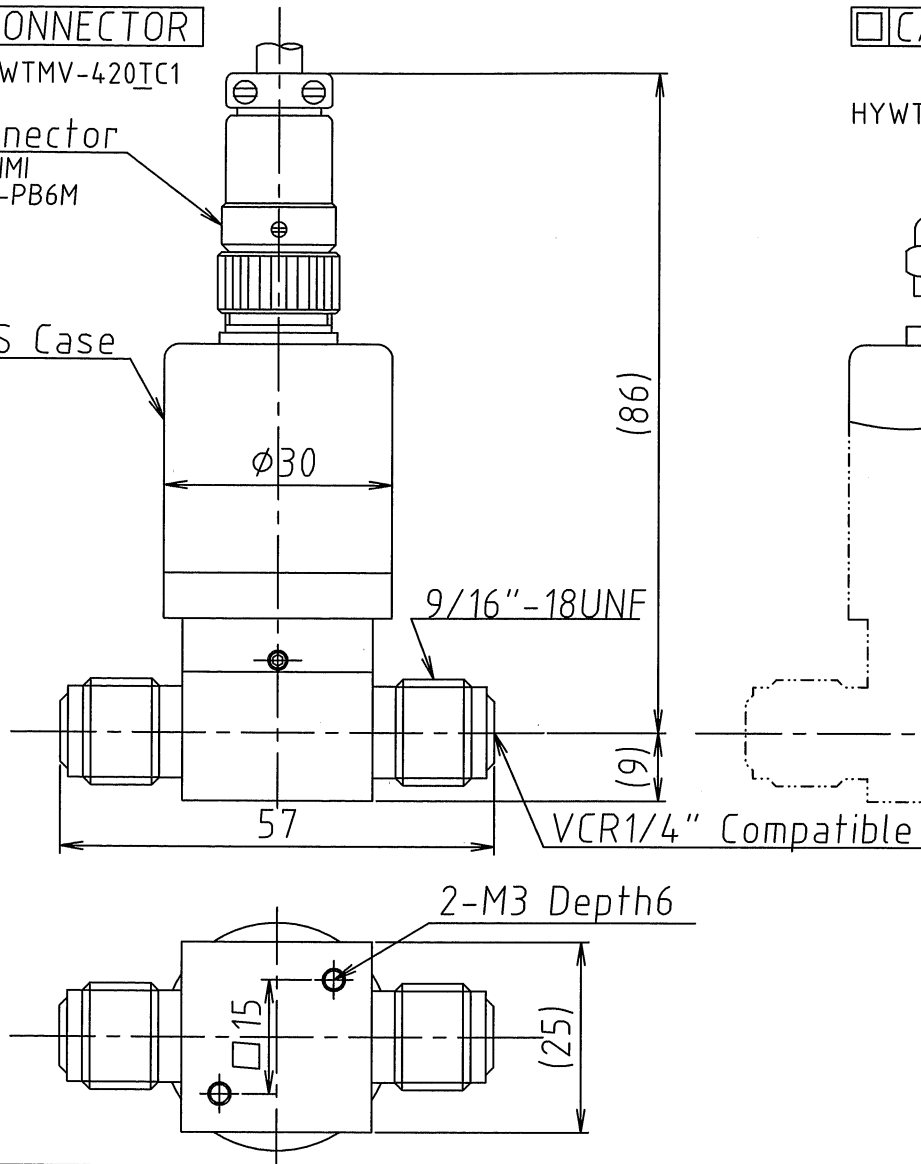
Rev. No. 3	DATE & NOTE	APP	REV	DSG	APP	TITLE
Rev. No. 2	DATE & NOTE	APP	REV	DSG	REV	HYWSND-420C1
Rev. No. 1	DATE & NOTE	APP	REV	DSG	DSG	HYWSND-420PC1
Rev. No.	DATE & NOTE	APP	REV	DSG	DSG	SCALE 1:1
						3rd DRAWING
						DRAWING No. 9902207
						DATE 2010.06.18
						Rev. 10

CONNECTOR

HYWTMV-420IC1

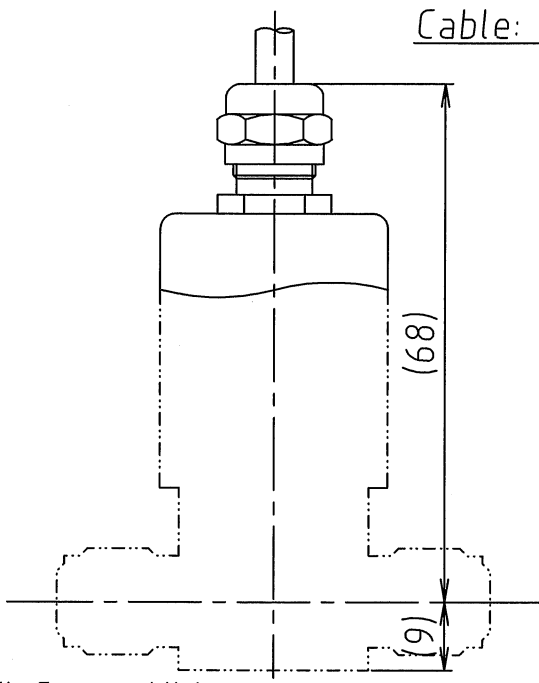
Connector
TAJIMI
R03-PB6M

SUS Case



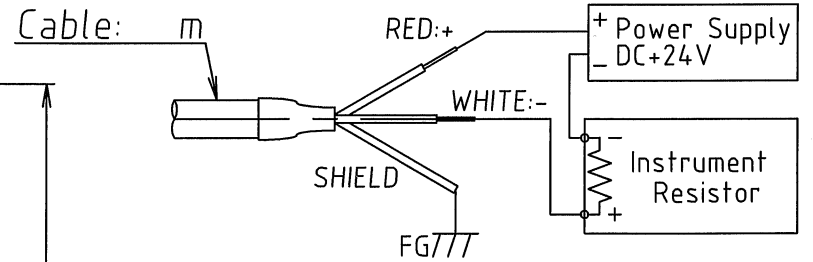
CABLE GLAND

HYWTMV-420PC1

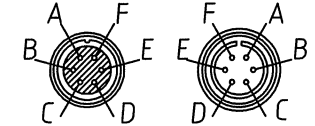


WIRING

OUTPUT SIGNAL: 4-20mA



PIN ASSIGNMENT

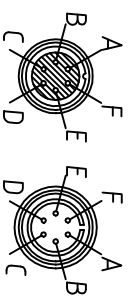


Receptacle Plug

	2-WIRE 4-20mA
A	POWER(+) RED
B	POWER(-) WHITE
C	POWER(-) WHITE
D	(N.C.)
E	(N.C.)
F	(N.C.)
CASE	(N.C.)

3 Rev.No. DATE&NOTE	APP	REV	DSG	APP H.Narita	TITLE HYWTMV-420□C1			
2 Rev.No. DATE&NOTE	APP	REV	DSG	REV T.Yamada	SCALE 1:1	3rd DRAWING	DRAWING No. 9902472	Rev. △
1 Rev.No. DATE&NOTE	APP	REV	DSG	DSG H.Masuda	TEM-TECH LAB.		DATE 2011.09.13	

PIN ASSIGNMENT



Receptacle Plug

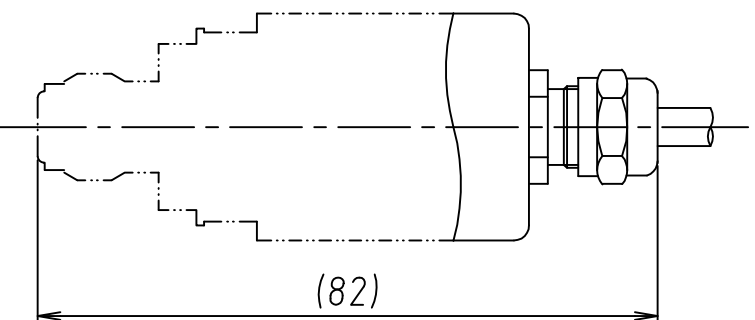
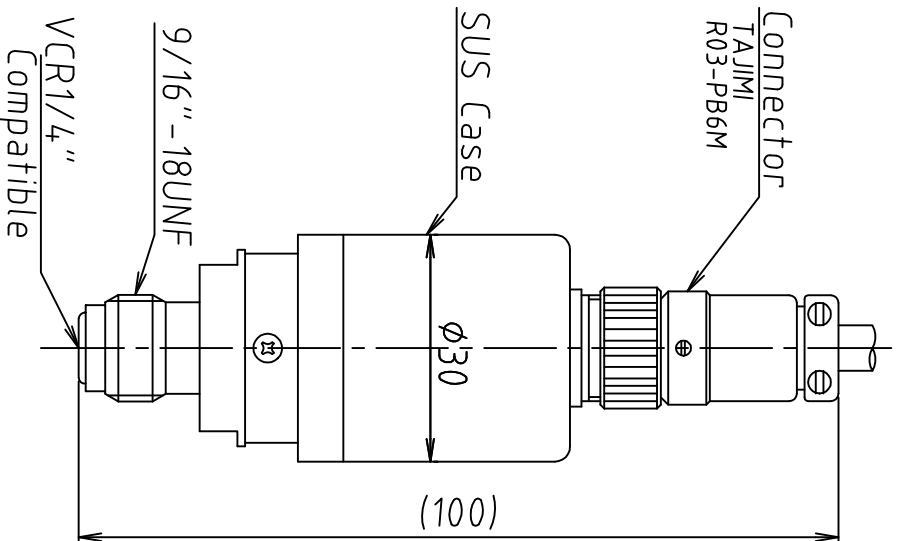
	2-WIRE
A	POWER(+)/RED
B	POWER(-)/WHITE
C	POWER(-)/WHITE
D	(N.C.)
E	(N.C.)
F	(N.C.)
	CASE (N.C.)

	3-WIRE
A	Voltage OUTPUT
	Pwr Supply(+)/RED
B	Common(-)/BLACK
C	Sig Out(+)/WHITE
D	(N.C.)
E	(N.C.)
F	(N.C.)
	CASE (N.C.)

	4-WIRE
	Voltage OUTPUT
A	Pwr Supply(+)/RED
B	Pwr Supply(-)/BLACK
C	Sig Out(-)/WHITE
D	Sig Out(+)/GREEN
E	(N.C.)
F	(N.C.)
	CASE (N.C.)

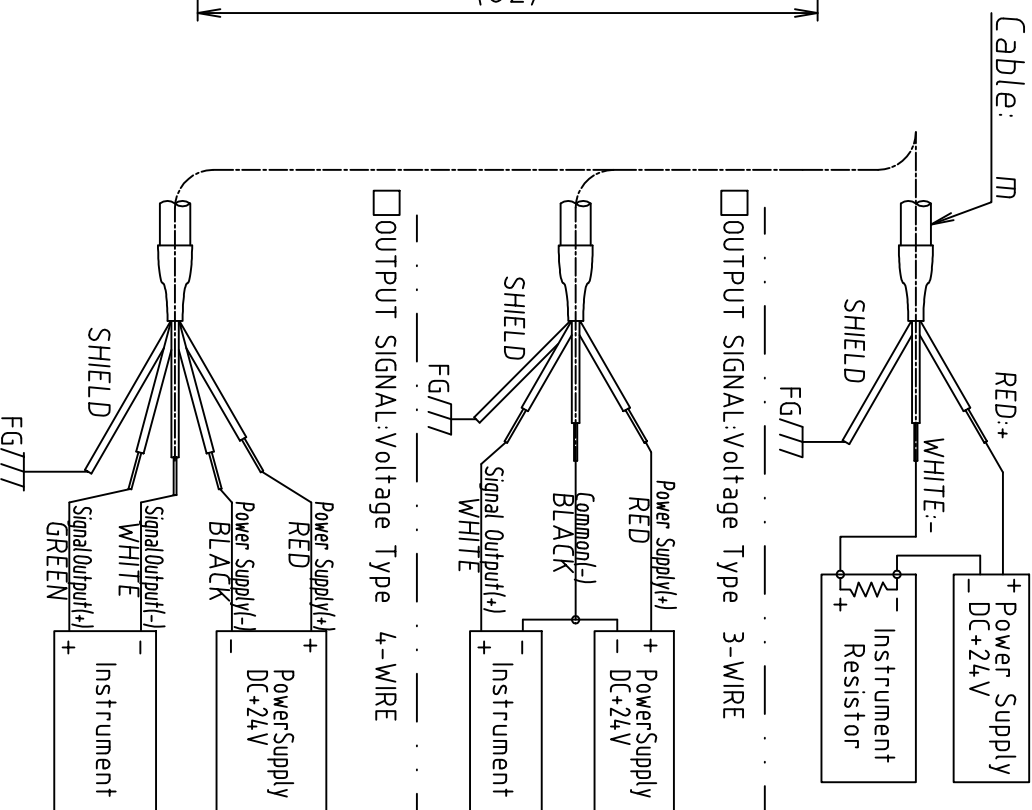
CONNECTOR
HYWSMD-□□□□IC1

CABLE GLAND
HYWSMD-□□□□PC1



WIRING

OUTPUT SIGNAL: 4-20mA



3	DATE&NOTE	APP	REV	DSG	APP	TITLE	SCALE	DRAWING No.	Rev.
		APP	REV	DSG	H.Narita	HYWSMV-□□□□C1	1:1	9902544	0

2	DATE&NOTE	APP	REV	DSG	T.Yanada	3rd DRAWING			
		APP	REV	DSG	H.Masuda	TEM-TECH LAB.			

1	DATE&NOTE	APP	REV	DSG					
		APP	REV	DSG					

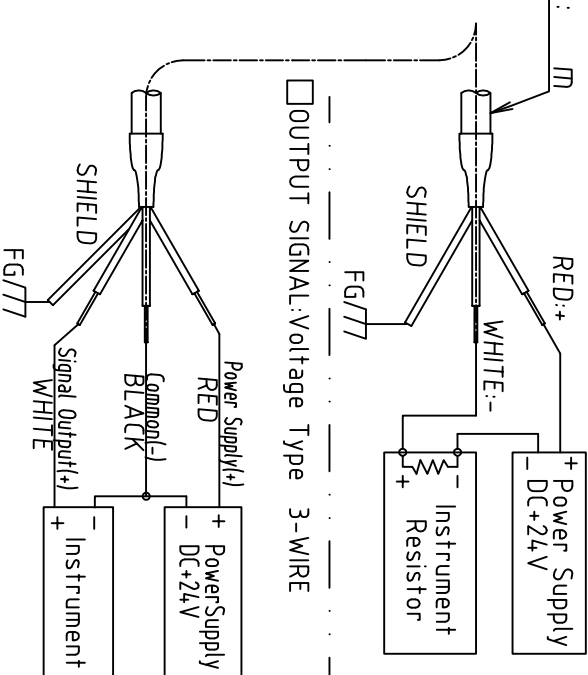
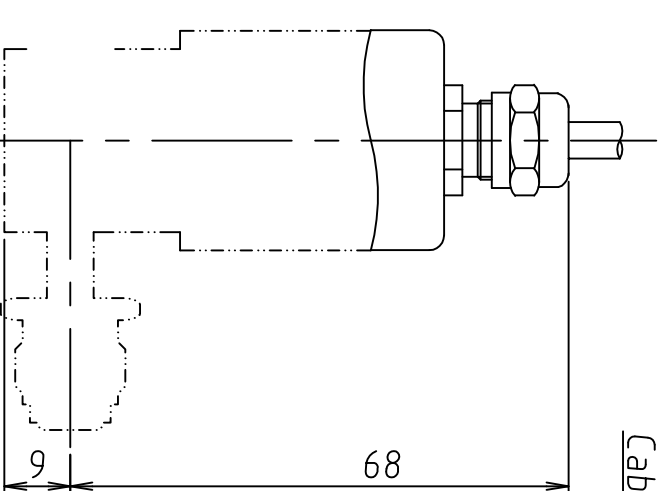
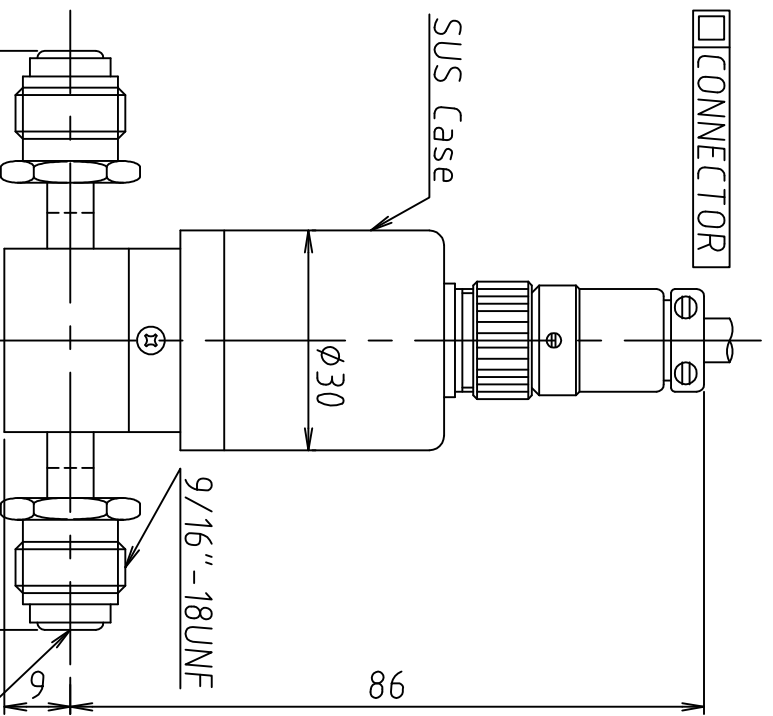
DATE 2012.04.05

CONNECTOR

CABLE GLAND

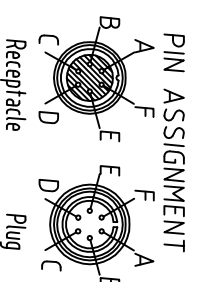
OUTPUT SIGNAL: 4-20mA

WIRING



FITTING

FITTING	MODEL No.
VCR Compatible	HYWTNV
UJR	HYWTNU



2-WIRE		3-WIRE	
4-20mA		Voltage OUTPUT	
A	POWER(+)/RED	A	Power Supply(+)/RED
B	POWER(-)/WHITE	B	Common(-)/BLACK
C	POWER(-)/WHITE	C	Sig Out(+)/WHITE
D	(N.C)	D	(N.C)
E	(N.C)	E	(N.C)
F	(N.C)	F	(N.C)
CASE	(N.C)	CASE	(N.C)

REV. No.	DATE	APP	REV	DSG	APP	TITLE	SCALE	DRAWING No.	Rev.
3		APP	REV	DSG	APP	HYWTNU - □□□□□□□□ C1	1:1	9902635	10
2		APP	REV	DSG	APP		3rd DRAWING		
1		APP	REV	DSG	APP	TEM-TECH LAB.			
REV. No.	DATE	DATE	DATE	DATE	DATE				2012.11.22

