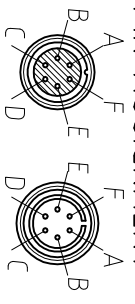
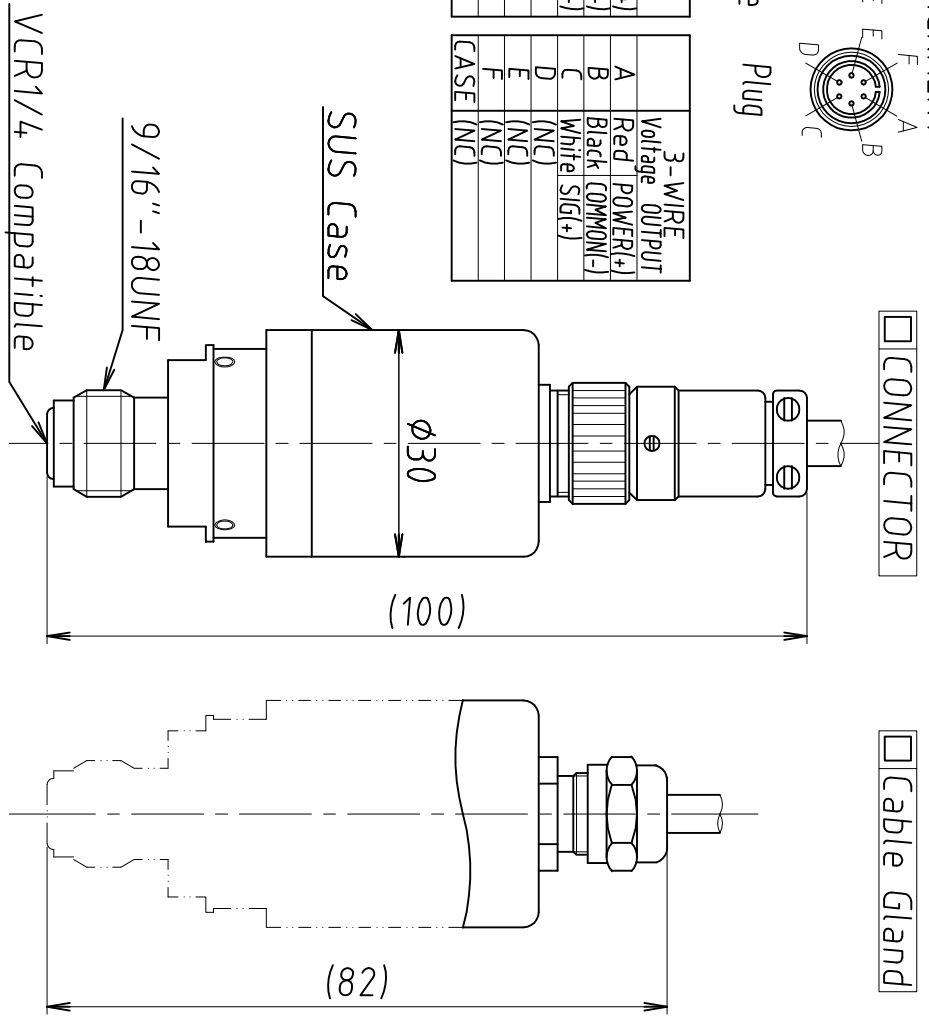


△ PIN ASSIGNMENT

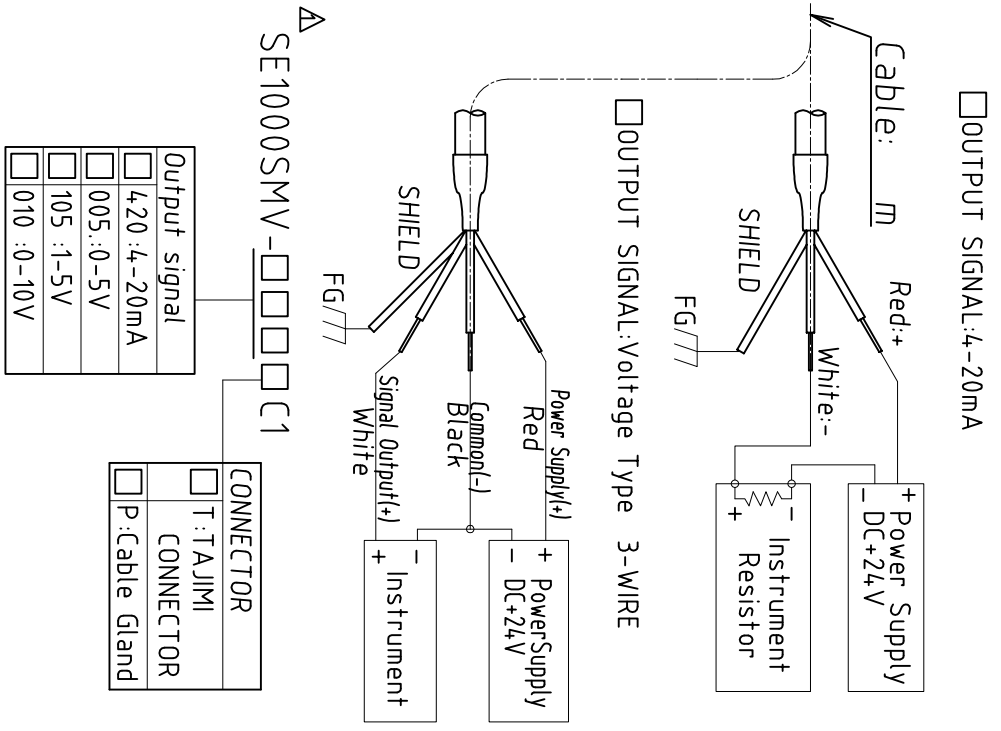


Receptacle Plug

2-WIRE		3-WIRE	
A	Red (POWER+)	A	Voltage OUTPUT
B	White (POWER-)	B	Red (POWER+)
C	White (POWER-)	C	Black (COMMON-)
D	(NC)	D	White (SIG+)
E	(NC)	E	(NC)
F	(NC)	F	(NC)
CASE	(NC)	F	(NC)
		CASE	(NC)



△ WIRING



△ SE1000SMV-□□□□C1

Output signal	□ 420 : 4-20mA
	□ 005 : 0-5V
	□ 105 : 1-5V
	□ 010 : 0-10V

CONNECTOR	□ T : TA JIMI
CONNECTOR	□ P : Cable Gland

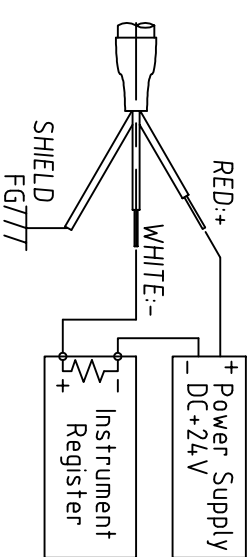
REV. No.	DATE	2010.01.21														
3	DATE/NOTE															
2	DATE/NOTE	2014.12.16														
1	DATE/NOTE	Add pin assignment. Fixed a typo.														
APP	REV	DSG	APP	REV	DSG	APP	REV	DSG	APP	REV	DSG	TITLE	SCALE	3rd DRAWING	DRAWING No.	9902118
H.Narita	T.Yamada	K.Yuasa	M.Ishikada	H.Narita	Y.Kawamura	H.Narita	M.Ishikada	SE1000SMV-□□□□C1	1:1			(SE1000-SMV-□□□□1)				
TEM-TECH LAB.																

WIRING

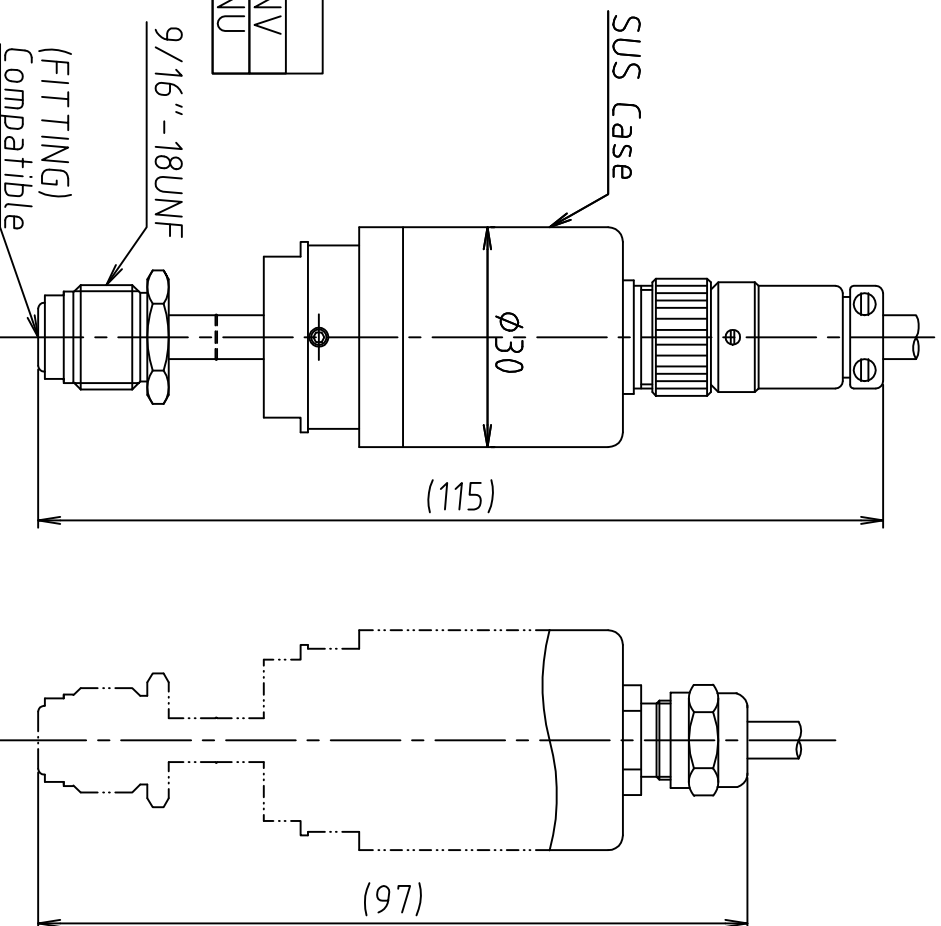
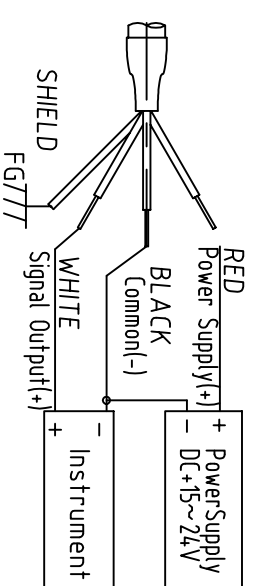
CONNECTOR

Cable Gland

OUTPUT SIGNAL: 4-20mA

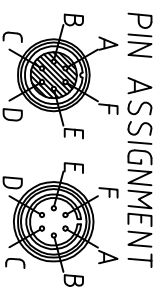


OUTPUT SIGNAL: Voltage Type



FITTING	MODEL No.
<input type="checkbox"/> VCR1/4"	SE1000-SNV
<input type="checkbox"/> UJR1/4"	SE1000-SNU

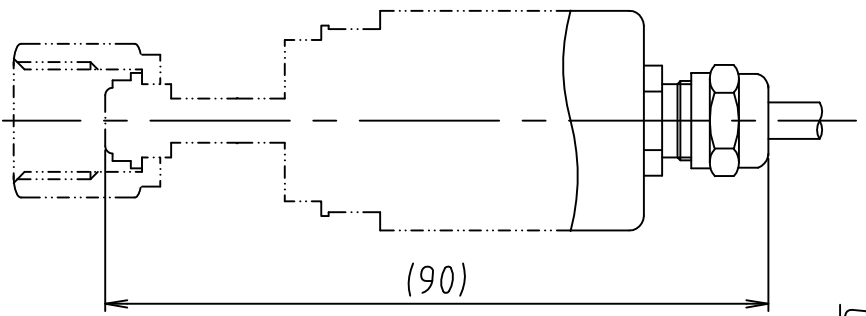
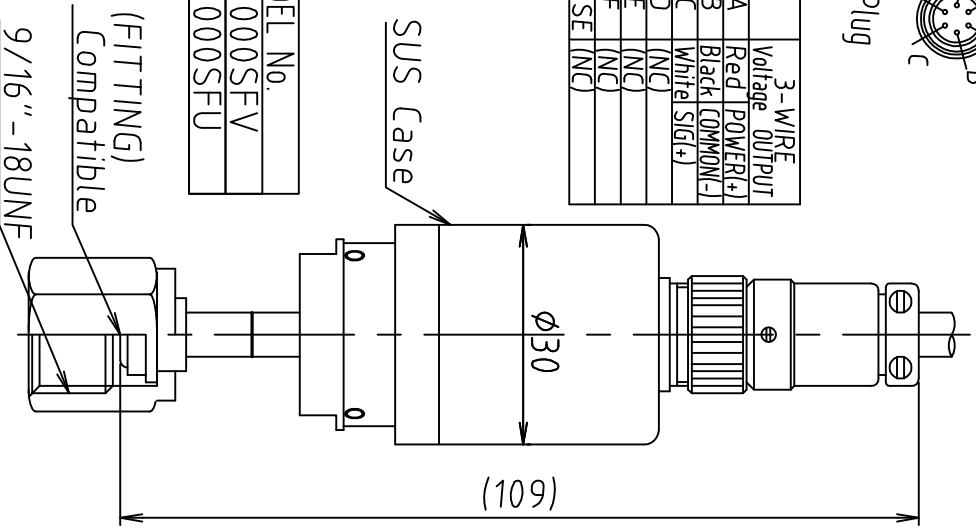
REV. 3	DATE & NOTE	APP	REV	DSG	APP	TITLE	SCALE	DRAWING No.	Rev.
2	DATE & NOTE	APP	REV	DSG	H. Narita	SE1000 SNU-□□□□□□□□□□ (SE1000 SNU-□□□□□□□□□□)	1:1	9902257	20
1	DATE & NOTE	APP	REV	DSG	Y. Kawamura M. Tsukada	3rd DRAWING		9902257	
					TEM-TECH LAB.			DATE	2010.08.23



2-WIRE 4-20mA		3-WIRE Voltage OUTPUT	
A	Red (POWER+)	A	Red (POWER+)
B	White (POWER-)	B	Black (COMMON-)
C	White (POWER-)	C	White (SIG+)
D	(NC)	D	(NC)
E	(NC)	E	(NC)
F	(NC)	F	(NC)
CASE	(NC)	CASE	(NC)

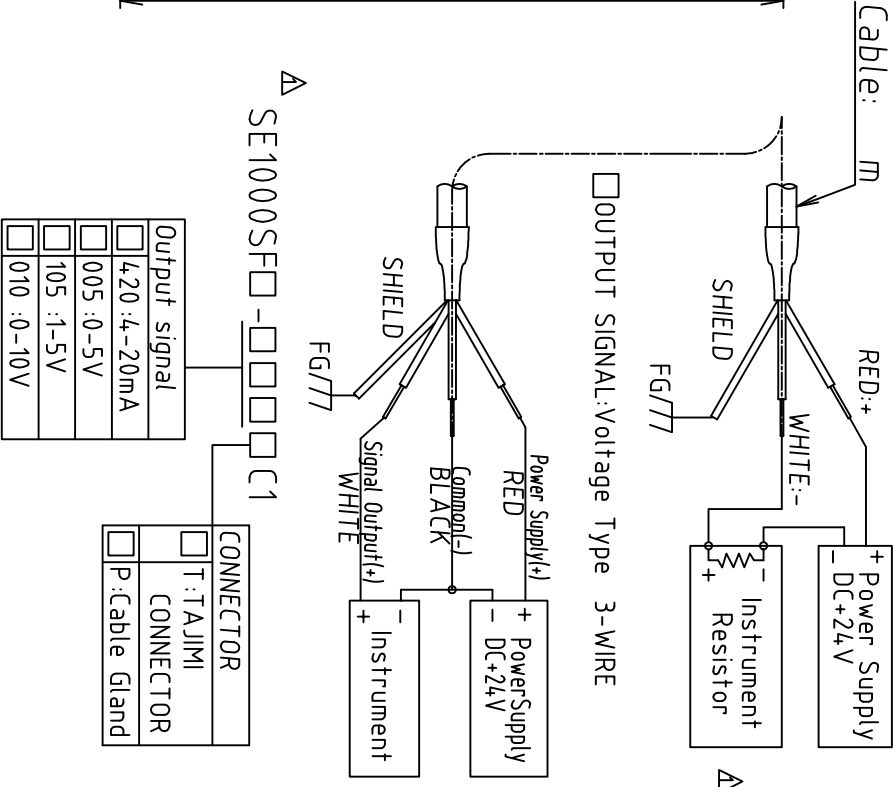
CONNECTOR

Cable Gland



OUTPUT SIGNAL: 4-20mA

WIRING



FITTING	MODEL No.
<input type="checkbox"/> VCR1/4"	SE1000SEV
<input type="checkbox"/> UJR1/4"	SE1000SFU

(FITTING)  
Compatible  
9/16"-18UNF

REV. No.	DATE/NOTE	APP	REV	DSG	APP	REV	DSG	TITLE	SCALE	3rd DRAWING	DRAWING No.	DATE
3	DATE/NOTE	APP	REV	DSG	APP	REV	DSG	SE1000SFD-□□□□C1	1:1		9902279	2010.09.13
2	DATE/NOTE	APP	REV	DSG	APP	REV	DSG	TEM-TECH LAB.				
1	DATE/NOTE	APP	REV	DSG	APP	REV	DSG	TEM-TECH LAB.				