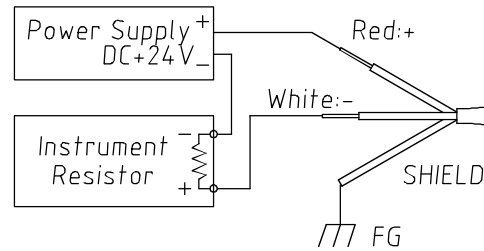
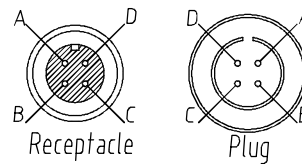


WIRING

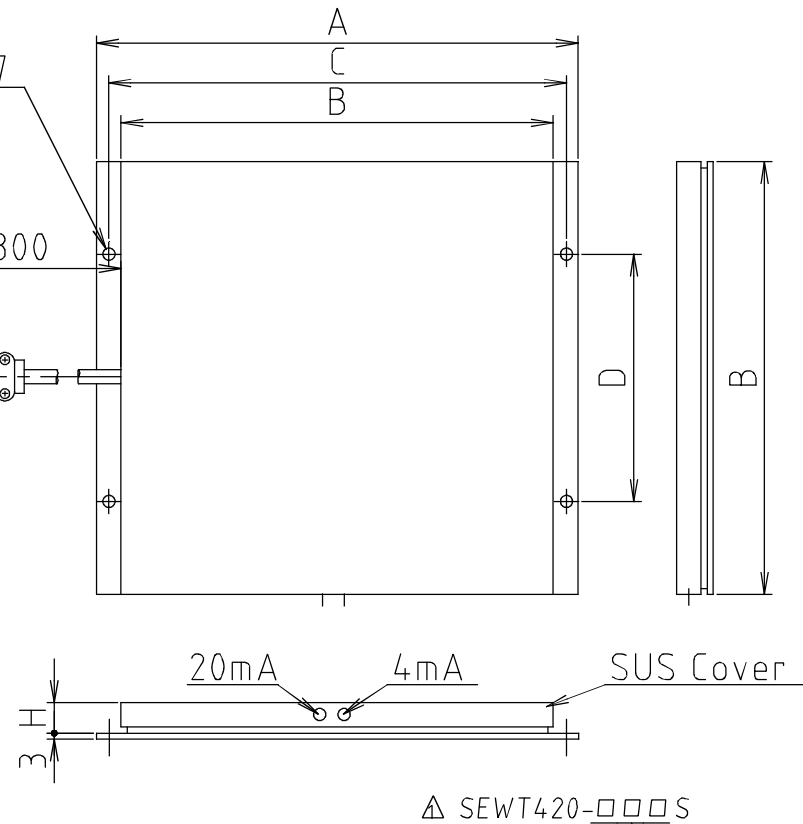
OUTPUT SIGNAL: 4-20mA



△ 4PIN
PIN ASSIGNMENT



	2-WIRE 4-20mA	
A	Red	POWER(+)
B	White	POWER(-)
C	(NC)	
D	(NC)	
CASE	(NC)	



△ SEWT420-□□□S

SIZE	
□ 200	□ 200
□ 250	□ 250
□ 300	□ 300
□ 420	□ 420
□ 500	□ 500

STANDARD

	SIZE	RANGE(kg)	A	B	C	D	H
□	200	0 ~ 50	240	200	220	140	(31)
□	200	0 ~ 100					
□	250	0 ~ 100	290	250	270	200	(31)
□	250	0 ~ 200					
□	300	0 ~ 50	340	300	326	200	(31)
□	300	0 ~ 100					
□	300	0 ~ 200					
□	420	0 ~ 100	460	420	440	200	(31)
□	420	0 ~ 200					
△ □	420	0 ~ 300					
□	500	0 ~ 100	540	500	520	300	(31)
□	500	0 ~ 200					
□	500	0 ~ 400					

Rev.No.	DATE&NOTE	APP	REV	DSG	APP	TITLE	
3						SEWT420-□□□S	
2						SCALE	DRAWING No.
						NONE	9900953
						3rd DRAWING	Rev. △
1	2014.1.18 Pin assignment postscript. Adding □420 0~300kg to the standard.	APP H.Narita	REV T.Yamada	DSG K.Yuasa	DSG M.Tsukada	DATE	2003.03.27
						TEM-TECH LAB.	