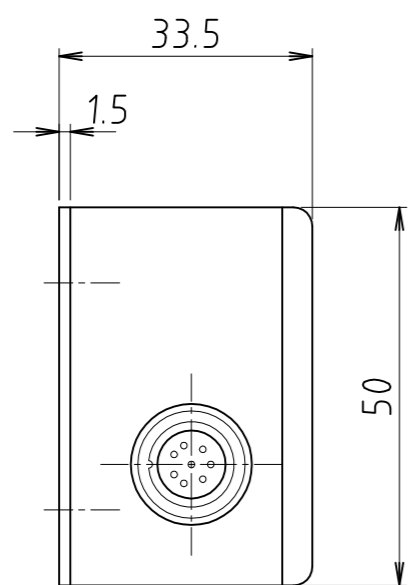
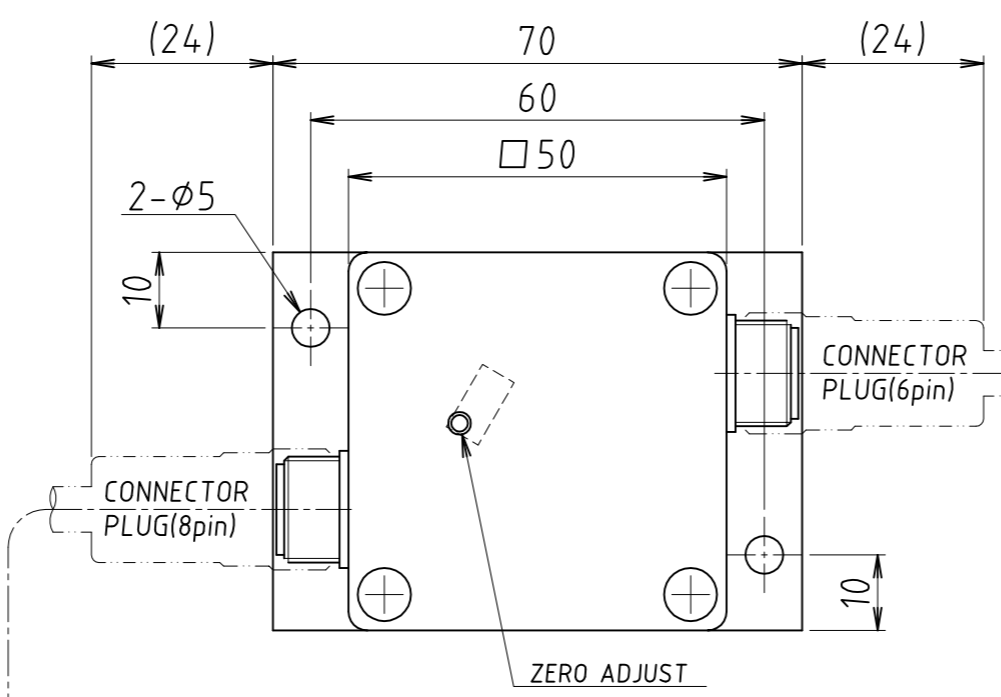


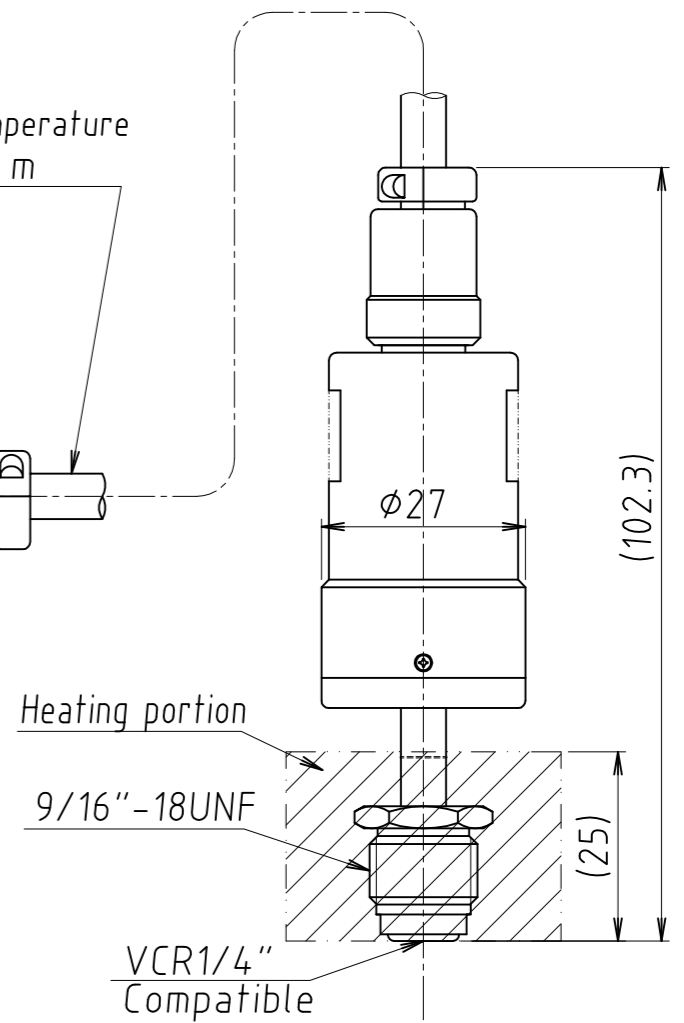
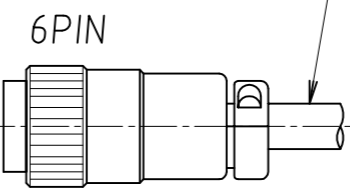
PIN ASSIGNMENT		6PIN	
Red : EXT(+)	A		
White: EXT(-)	B		
Blue : SIG(-)	C		
Green: SIG(+)	D		
(NC)	E		
(NC)	F		
SHIELD	CASE	Receptacle	Plug



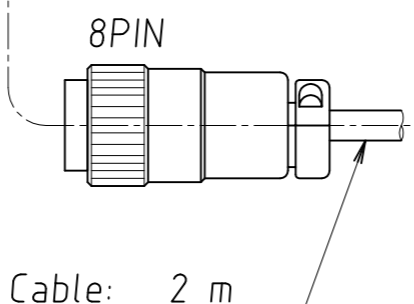
AMP BOX



For high temperature Cable: 1 m

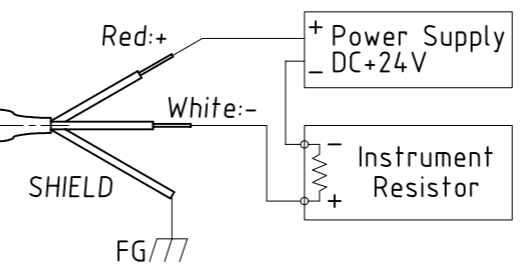


PIN ASSIGNMENT		8PIN	
Red :POWER(+)	A		
White :POWER(-)	B		
(NC)	C		
(NC)	D		
(NC)	E		
(NC)	F		
(NC)	G		
(NC)	H		
SHIELD	(NC)	Receptacle	Plug



WIRING

OUTPUT SIGNAL: 4-20mA



承認者 DESIGNED APPROVED BY 承認日 DATE

会社名 COMPANY NAME

3	Rev.No. DATE&NOTE
2	Rev.No. DATE&NOTE
1	Rev.No. DATE&NOTE

APP	REV	DSG	APP	TITLE	
			H.Masuda	ARHSNV-42XPC1/AMP-BOX	
APP	REV	DSG	REV	SCALE	DRAWING No. 9903426
			T.Yamada	A3 1:1	
APP	REV	DSG	DSG	3rd DRAWING	Rev.
			K.Yuasa	DATE	2018.11.28