

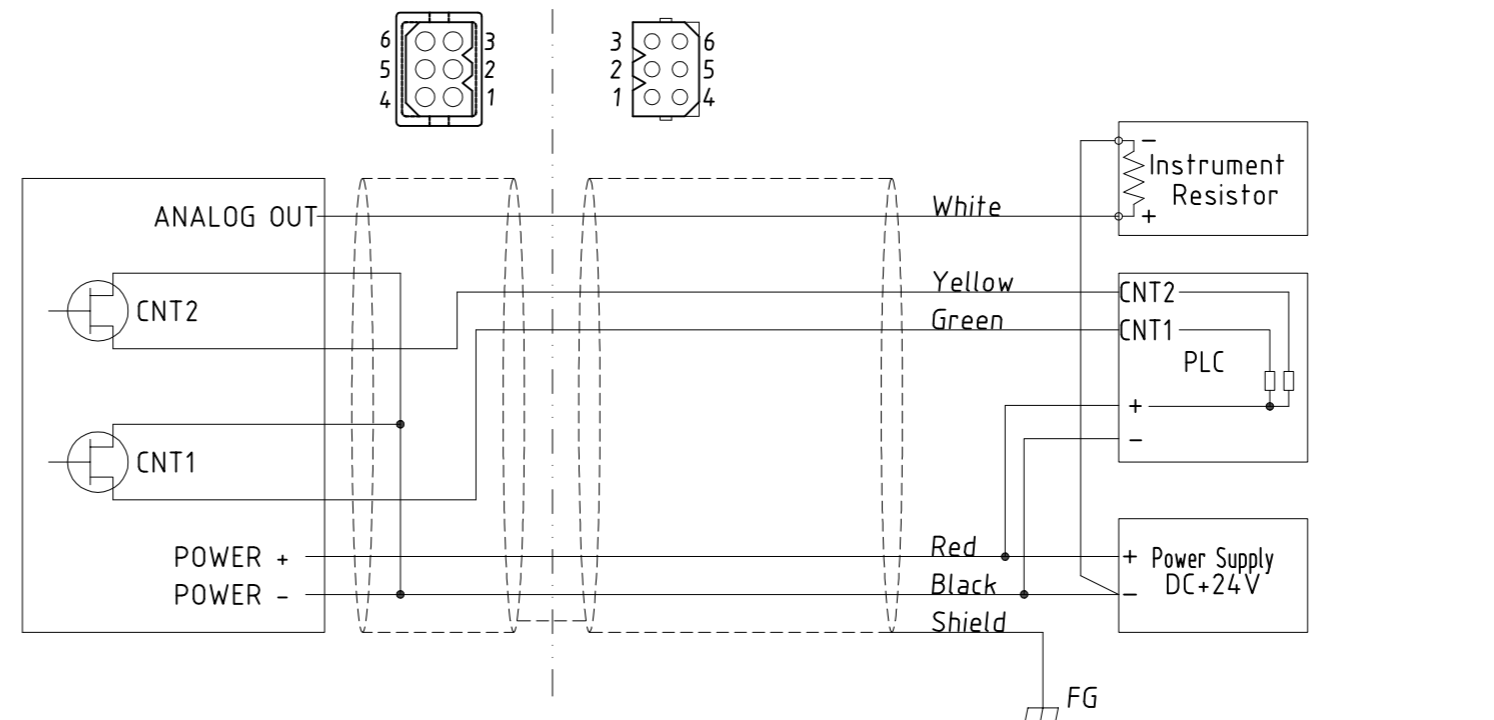
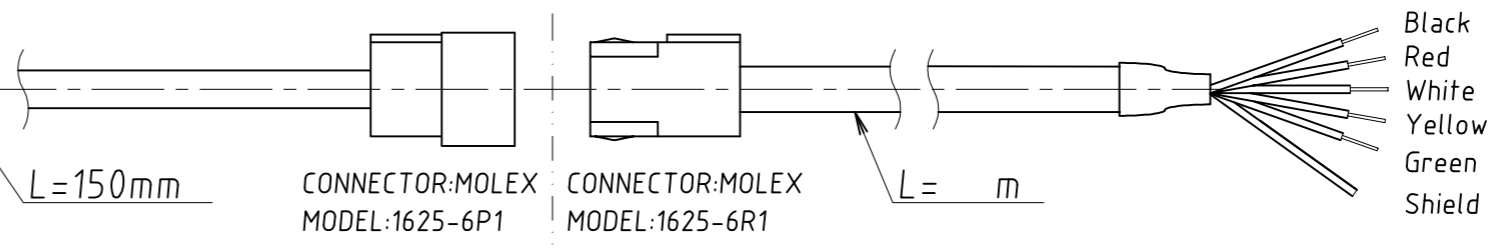
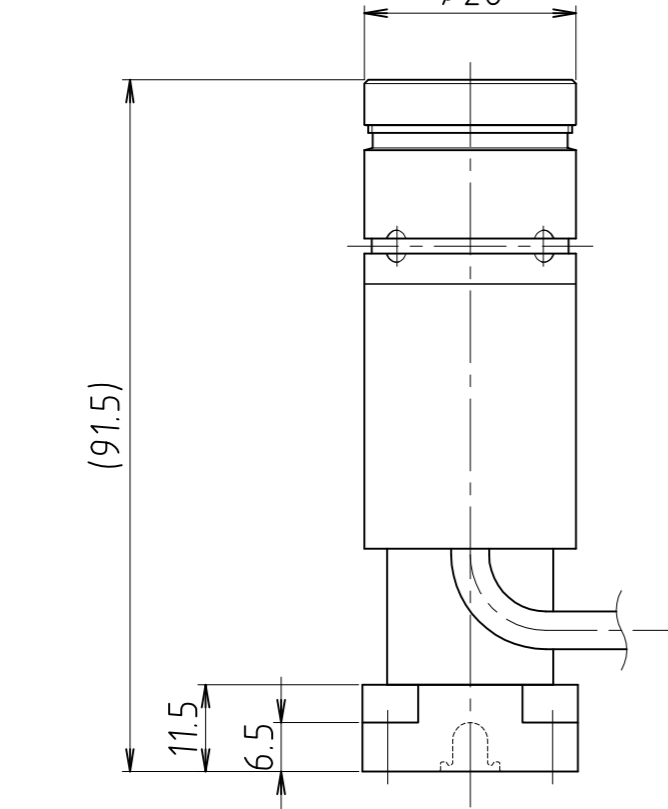
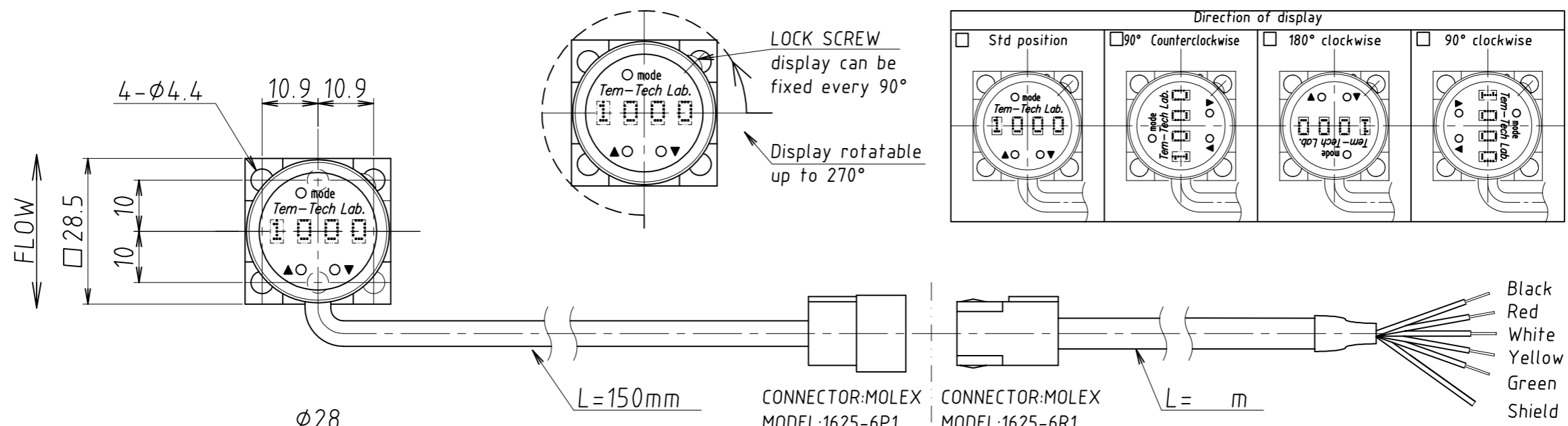
HYPFZWS2-6801TP□□□NT6

Output signal	
□ 420 :4-20mA	
□ 005 :0-5V	
□ 105 :1-5V	
□ 010 :0-10V	

WIRING DIAGRAM

Cable Color	Function	Remarks
Black	Common	
Red	Power Supply	+DC24V(50mA) Cnt1&2 is not included.
White	Analog Out	Signal
Yellow	CNT2	CNT2 Out Max.50mA
Green	CNT1	CNT1 Out Max.50mA
Shield	Frame Ground	Must Connect to GND Line

承認者 DESIGNED APPROVED BY	承認日 DATE	3	APP	REV	DSG	APP	TITLE			
		Rev.No. DATE&NOTE				H.Narita	HYPFZWS2-6801TP□□□NT6			
会社名 COMPANY NAME		2	APP	REV	DSG	REV	SCALE	DRAWING No.	9903053	Rev.
		Rev.No. DATE&NOTE				M.Katsura	A3 1:1	3rd DRAWING		△
		1	APP	REV	DSG	DSG	TEM-TECH LAB.	DATE	2015.6.5	
		Rev.No. DATE&NOTE				K.Yuasa				



HYPFZWS2-6801TS□□□NT6

Output signal
 420 :4-20mA
 005 :0-5V
 105 :1-5V
 010 :0-10V

WIRING DIAGRAM

Cable Color	Function	Remarks
Black	Common	
Red	Power Supply	+DC24V(50mA) Cnt1&2 is not included.
White	Analog Out	Signal
Yellow	CNT2	CNT2 Out Max.50mA
Green	CNT1	CNT1 Out Max.50mA
Shield	Frame Ground	Must Connect to GND Line

承認者 DESIGNED APPROVED BY 承認日 DATE

会社名 COMPANY NAME

3	Rev.No. DATE&NOTE	APP	REV	DSG	APP	TITLE			
2	Rev.No. DATE&NOTE	APP	REV	DSG	H.Narita	HYPFZWS2-6801TS□□□NT6	SCALE	DRAWING No.	Rev.
1	Rev.No. DATE&NOTE	APP	REV	DSG	M.Katsura	A3 1:1	3rd DRAWING	9903054	△
					K.Yuasa	TEM-TECH LAB.	DATE	2015.6.5	