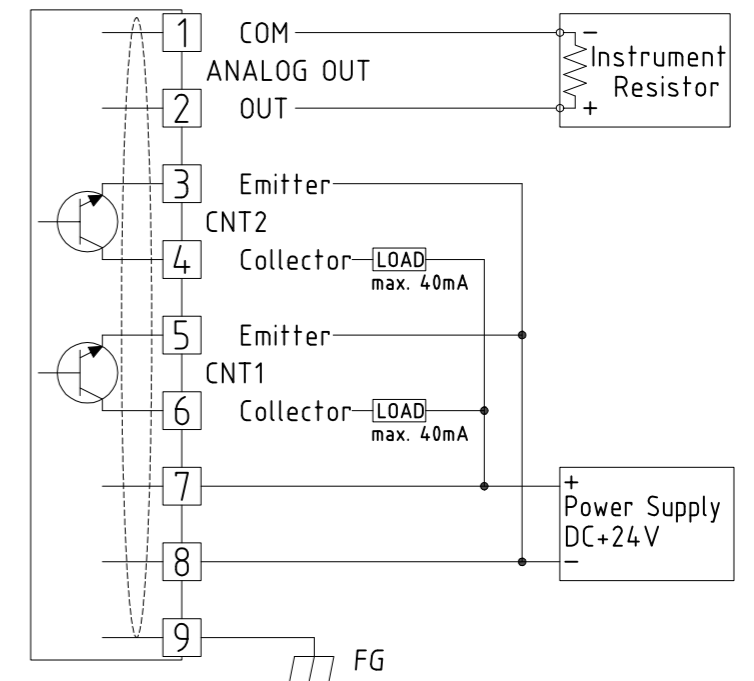


WIRING DIAGRAM



No.	Cable Color	Function	Remarks
1	White	Analog COM	COM
2	Orange	Analog OUT	Signal
3	Brown	CNT2	Emitter(isolate)
4	Yellow	CNT2	Collector(isolate)
5	Blue	CNT1	Emitter(isolate)
6	Green	CNT1	Collector(isolate)
7	Red	Power Supply	+DC24V(100mA)
8	Black	Power Supply	0V
9	Shield	Frame Grand	Must Connect to GND Line

承認者 DESIGNED APPROVED BY 承認日 DATE

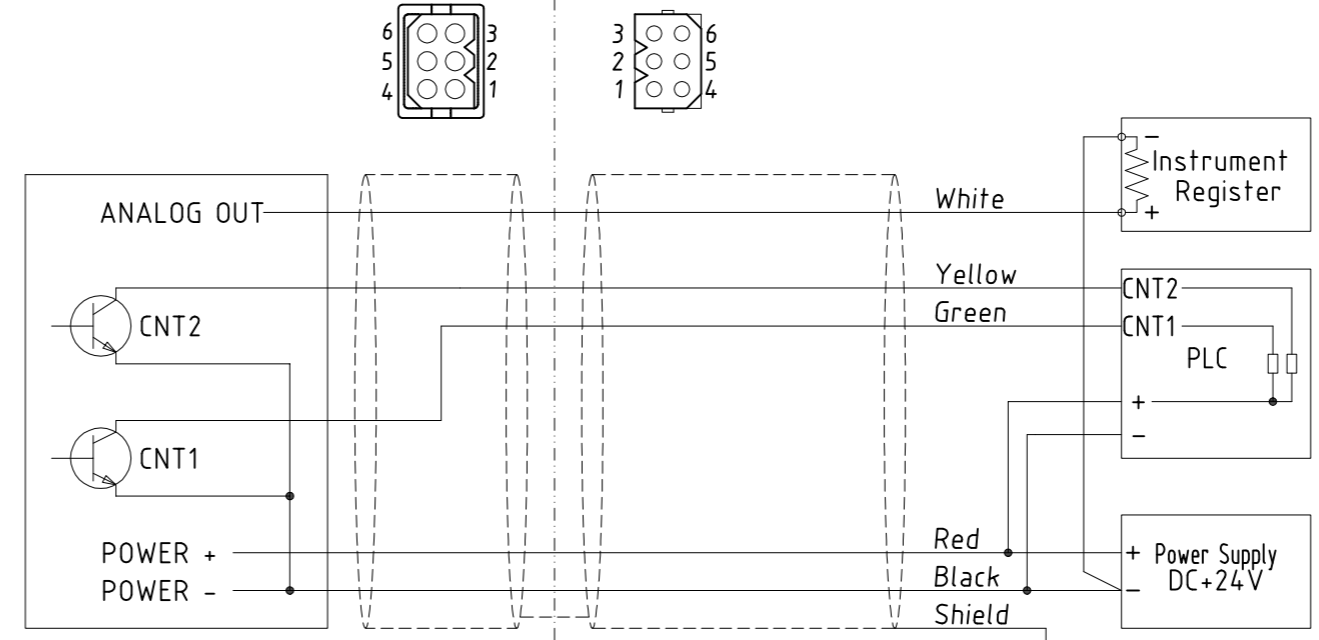
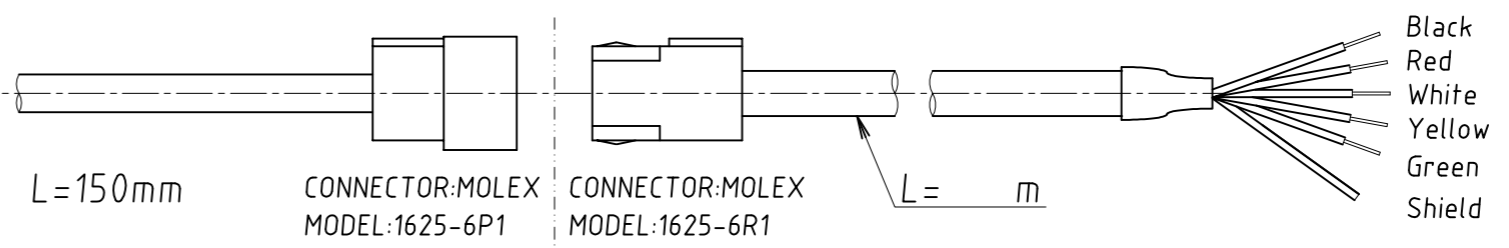
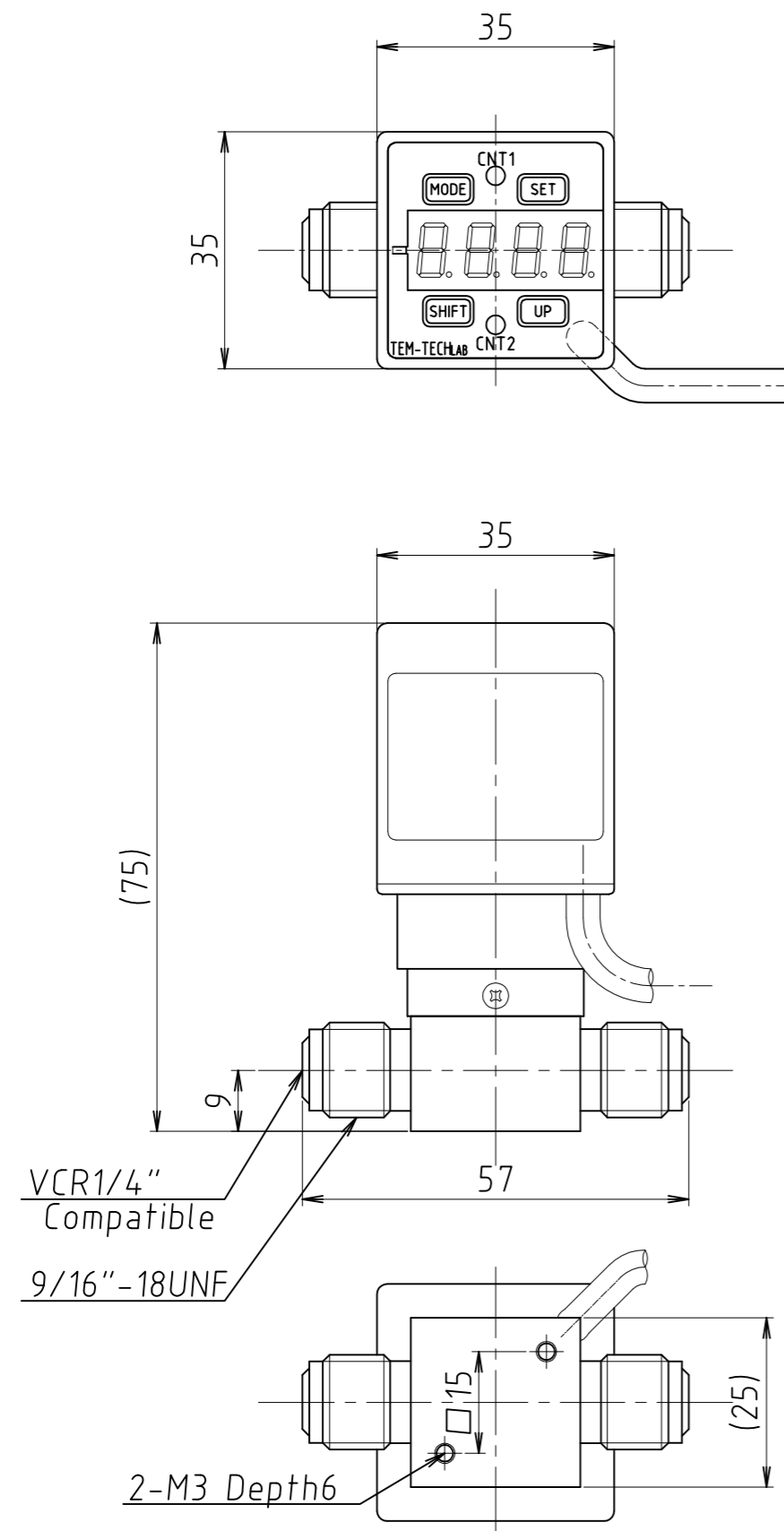
3  
Rev.No. DATE&NOTE

会社名 COMPANY NAME

2  
Rev.No. DATE&NOTE

1  
Rev.No. DATE&NOTE

APP	REV	DSG	APP	TITLE
H.Narita			H.Narita	HYWSMVC1-6220TX□□□NT□
T.Yamada			T.Yamada	SCALE 1:1
K.Yuasa			K.Yuasa	3rd DRAWING
				DRAWING No. 9903003
				DATE 2015.2.5



WIRING DIAGRAM

PIN No.	Cable Color	Function	Remarks
1	Black	COMMON	
2	Red	Power Supply	+DC24V
3	White	Analog OUT	Signal
4	Yellow	CNT2	CNT2 OUT
5	Green	CNT1	CNT1 OUT
6	Shield	Frame Ground	Must Connect to GND Line

承認者 DESIGNED	APPROVED BY	承認日 DATE	APP	REV	DSG	APP	TITLE HYWTMVC1-6220TS□□□NT6		
会社名 COMPANY NAME						H.Narita	SCALE	DRAWING No.	Rev.
						T.Yamada	A3 1:1	9902440	△
		2018.07.24	APP	REV	DSG	DSG	DATE		
		Title correction. Q→6	H.Masuda	T.Yamada	K.Yuasa	MASUDA	2011.08.04		