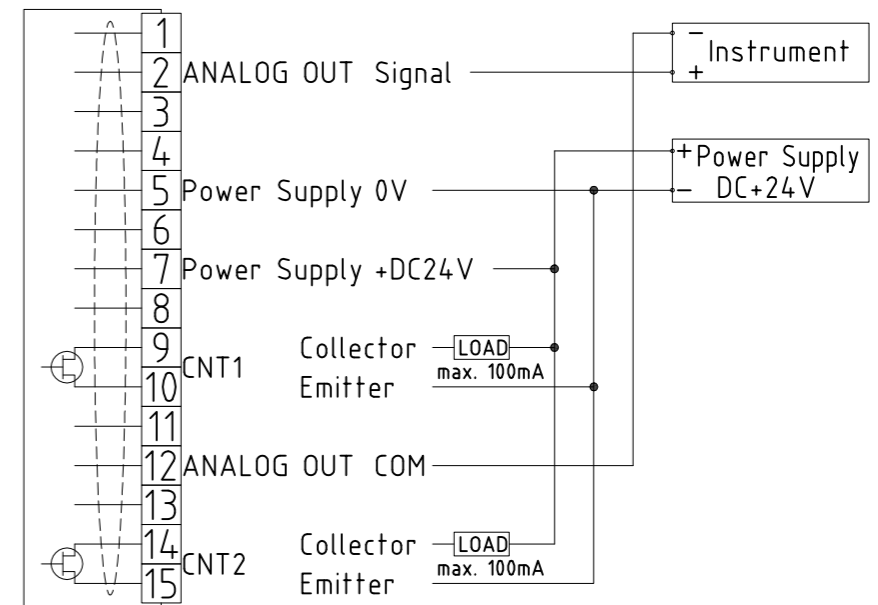


### WIRING DIAGRAM



### PIN ASSIGNMENTS

PIN No.	Function	Remarks
1	(NC)	
2	Analog OUT	Signal
3	(NC)	
4	(NC)	
5	Power Supply	0V
6	(NC)	
7	Power Supply	+DC24V(100mA)
8	(NC)	
9	CNT1 OUT	Collector
10	CNT1 COM	Emitter
11	(NC)	
12	Analog COM	COM
13	(NC)	
14	CNT2 OUT	Collector
15	CNT2 COM	Emitter

HYZFWZS2-6700TS□□□NTD

Output signal
□005 :0-5V
□105 :1-5V
□010 :0-10V
□510 :5-10V
□000 :No output

承認者 DESIGNED APPROVED BY 承認日 DATE

会社名 COMPANY NAME

3	Rev.No.	DATE&NOTE
2	Rev.No.	DATE&NOTE
1	Rev.No.	DATE&NOTE

APP	REV	DSG	APP	TITLE	
			H.Masuda	HYZFWZS2-6700TS□□□NTD	
APP	REV	DSG	REV	SCALE	DRAWING No.
			T.Yamada	A3 1:1	9903432
APP	REV	DSG	DSG	3rd DRAWING	Rev.
			K.Yuasa	TEM-TECH LAB.	△
				DATE	2019.02.19