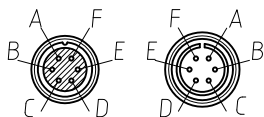


Rev	DATE	NOTE	APP	REV	DSG
△	2001.7.5	CABLE COLOR(BLACK→ WHITE)			M.Tsukada
△	2015.5.14	Change in general purpose drawing.	H.Narita	T.Yamada	K.Yuasa
△					

PIN ASSIGNMENT

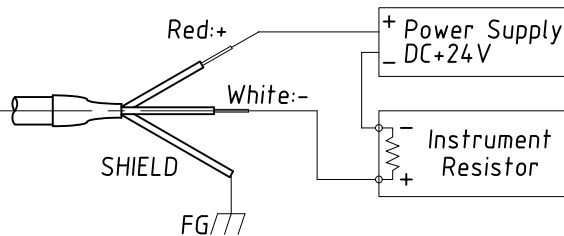


Receptacle Plug

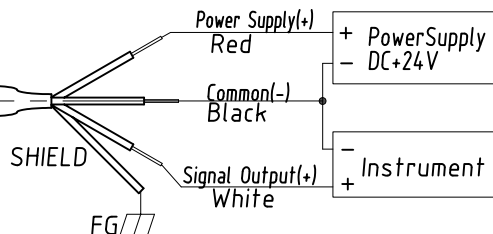
	2-WIRE 4-20mA	3-WIRE Voltage OUTPUT
A	Red POWER(+)	A Red POWER(+)
B	White POWER(-)	B Black COMMON(-)
C	White POWER(-)	C White SIG(+)
D	(NC)	D (NC)
E	(NC)	E (NC)
F	(NC)	F (NC)
CASE	(NC)	CASE (NC)

WIRING

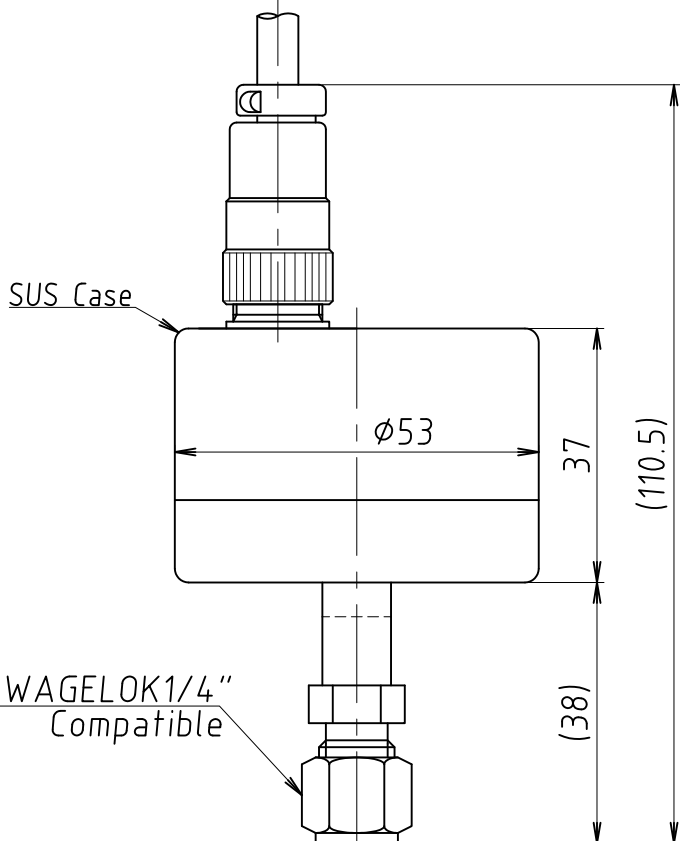
△  OUTPUT SIGNAL:4-20mA



OUTPUT SIGNAL:Voltage Type 3-WIRE



Cable: m



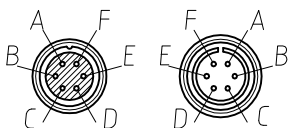
△ SE90  NSZS- TC1

Full scale	Output signal
<input type="checkbox"/> 0 :50kPa or less	<input type="checkbox"/> 420 :4-20mA
<input type="checkbox"/> 1 :50kPa over	<input type="checkbox"/> 005.:0-5V
	<input type="checkbox"/> 105 :1-5V
	<input type="checkbox"/> 010 :0-10V

APP	TITLE	DRAWING No.	Rev.
F.Kohira	△ SE90 <input type="checkbox"/> NSZS- <input type="checkbox"/> <input type="checkbox"/> <input type="checkbox"/> TC1 <del>SE900N420</del>	9900260	△
REV	SCALE	3rd DRAWING	
Y.Kawamura	1:1		
DSG	DATE		
R.Kawasaki	2000.02.25		

Rev	DATE	NOTE	APP	REV	DSG
△	2015.4.27	Change in general purpose drawing.	H.Narita	T.Yamada	K.Yuasa
△					
△					

PIN ASSIGNMENT



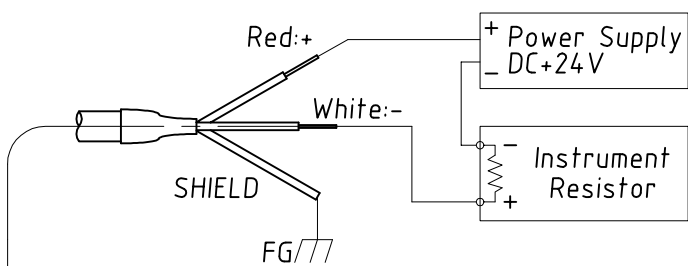
Receptacle Plug

2-WIRE 4-20mA			3-WIRE Voltage OUTPUT		
A	Red	POWER(+)	A	Red	POWER(+)
B	White	POWER(-)	B	Black	COMMON(-)
C	White	POWER(-)	C	White	SIG(+)
D	(NC)		D	(NC)	
E	(NC)		E	(NC)	
F	(NC)		F	(NC)	
CASE	(NC)		CASE	(NC)	

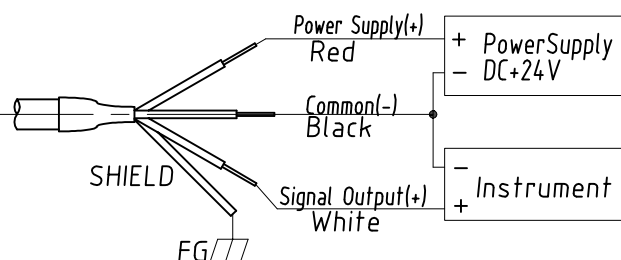
WIRING



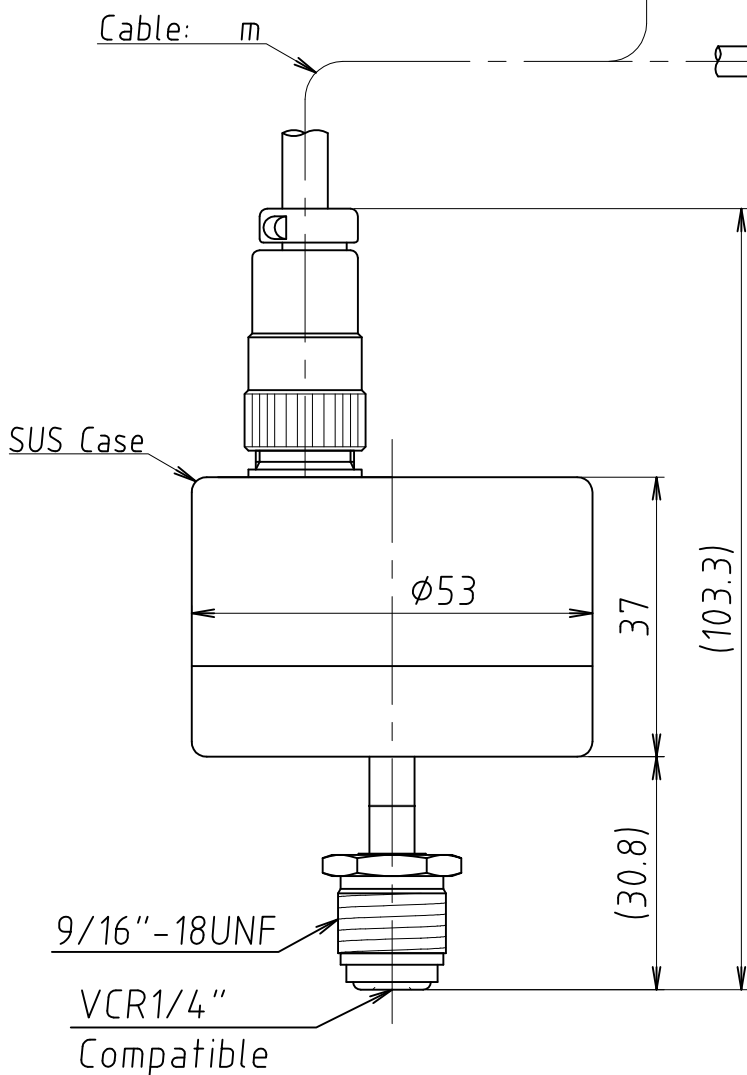
OUTPUT SIGNAL: 4-20mA



OUTPUT SIGNAL: Voltage Type 3-WIRE



Cable: m



SE90□NSNV-□□□TC1

Full scale

- 0 :50kPa or less
- 1 :50kPa over

Output signal

- 420 :4-20mA
- 005 :0-5V
- 105 :1-5V
- 010 :0-10V

APP	TITLE			
H.Narita	△ SE90□NSNV-□□□TC1			<del>SE90INSNV-105TC1</del>
REV	SCALE		DRAWING No.	Rev.
T.Yamada	1:1	3rd DRAWING	9902609	△
DSG	DATE			
K.Yuasa	TEM-TECH LAB.		2012.08.31	