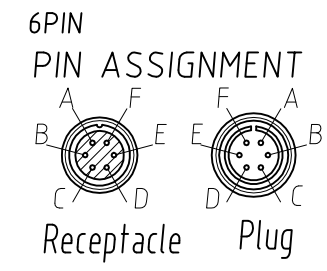


测温部長さ L	
<input type="checkbox"/>	20
<input type="checkbox"/>	40
<input type="checkbox"/>	70
<input type="checkbox"/>	(御指定)

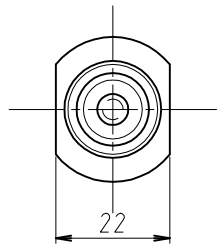
Model : SET100-MV-420T(保護管長さ)-(温度)



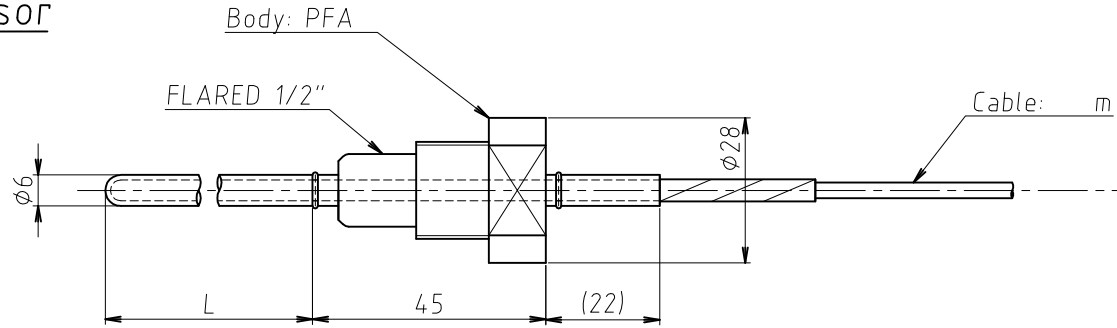
2-WIRE 4-20mA		
A	Red	POWER(+)
B	White	POWER(-)
C	White	POWER(-)
D	(NC)	
E	(NC)	
F	(NC)	
CASE	(NC)	

3 Rev.No. DATE&NOTE	APP	REV	DSG	APP H.Narita	TITLE SET100-MV-420T□□-□□□	
2 Rev.No. DATE&NOTE	APP	REV	DSG	REV T.Yamada	SCALE 1:1	DRAWING No. 9902925 Rev. 0
1 Rev.No. DATE&NOTE	APP	REV	DSG	DSG K.Yuasa	3rd DRAWING TEM-TECH LAB.	DATE 2014.6.25

Temperature sensor

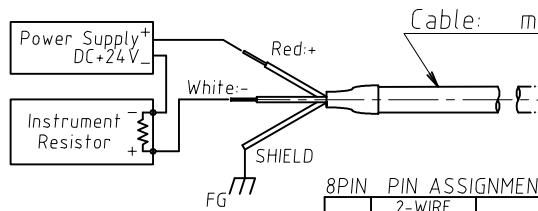


Sheath length L (mm)
<input type="checkbox"/> 20
<input type="checkbox"/> 40
<input type="checkbox"/> 70



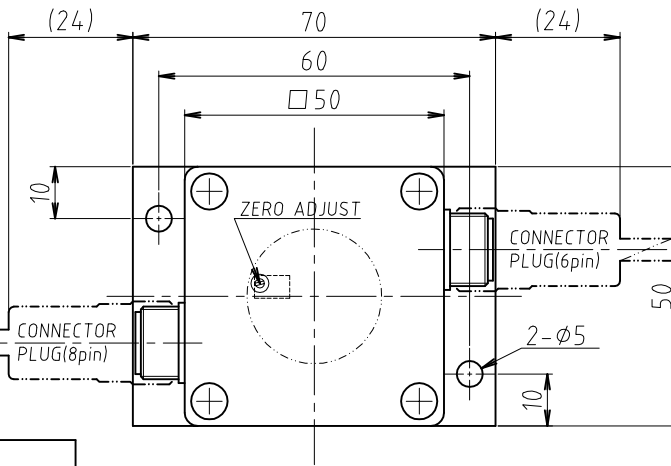
AMP BOX

OUTPUT SIGNAL: 4-20mA



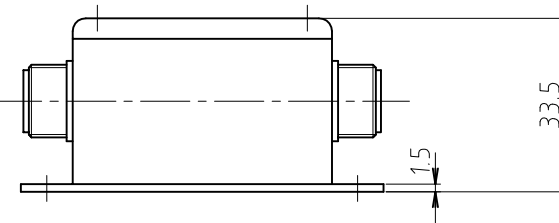
8PIN PIN ASSIGNMENT

	2-WIRE 4-20mA	Plug	Receptacle
A	Red (POWER+)	A	G
B	White (POWER-)	B	H
C	(NC)	C	A
D	(NC)	D	H
E	(NC)	E	A
F	(NC)	F	H
G	(NC)	G	A
H	(NC)	H	H
CASE	(NC)		



6PIN PIN ASSIGNMENT

	3-WIRE PT1002 OUTPUT	Receptacle	Plug
A	Red :A	A	F
B	White :B	B	E
C	White :B	C	D
D	(NC)	D	C
E	(NC)	E	B
F	(NC)	F	A
CASE	(NC)		



SET101-FR-42XP□□-□□□ / AMP BOX

CODE	Range
<input type="checkbox"/> 050	50°C
<input type="checkbox"/> 100	100°C

CODE	Sheath length
<input type="checkbox"/> 20	20mm
<input type="checkbox"/> 40	40mm
<input type="checkbox"/> 70	70mm

承認者 DESIGNED APPROVED BY 承認日 DATE

3	DATE&NOTE
2	DATE&NOTE
1	DATE&NOTE

会社名 COMPANY NAME

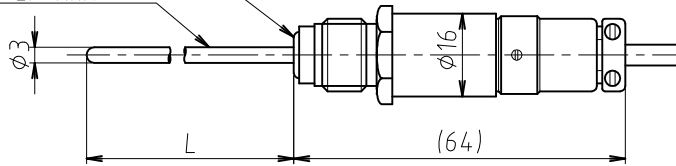
APP	REV	DSG	APP	TITLE
			H.Narita	SET101-FR-42XP□□-□□□ / AMP BOX
			T.Yamada	(SET101FR-42X-□□-□□□)
			M.Katsura	SCALE 1:1
				3rd DRAWING
				DRAWING No. 9902964
				Rev.
				DATE 2014.11.20

VCR1/4" Compatible

SUS316 EP finish

For high temperature
CABLE: m

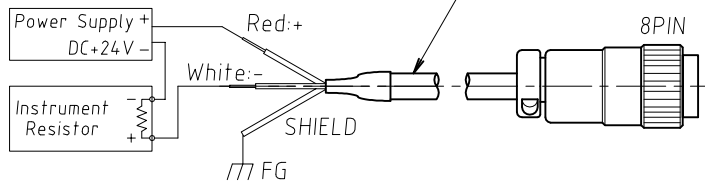
Sheath length L (mm)	
<input type="checkbox"/>	20
<input type="checkbox"/>	40
<input type="checkbox"/>	70



6PIN PIN ASSIGNMENT

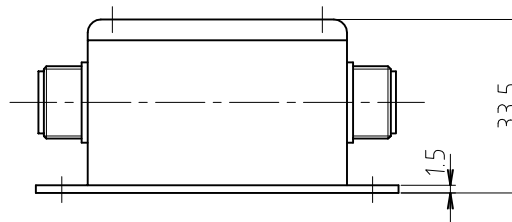
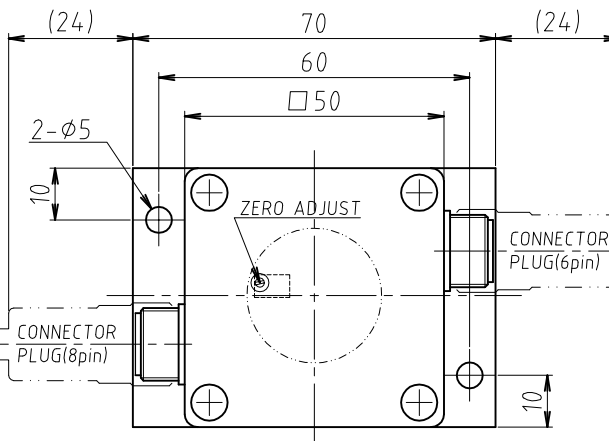
3-WIRE PT100Ω OUTPUT		Receptacle	Plug
A	Red	A	A
B	White	B	B
C	White	B	C
D	(NC)		D
E	(NC)		E
F	(NC)		F
CASE SHIELD			

WIRING
OUTPUT SIGNAL: 4-20mA



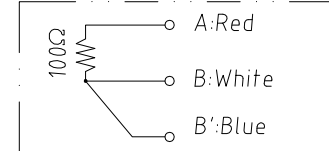
8PIN PIN ASSIGNMENT

2-WIRE 4-20mA		Plug	Receptacle
A	Red :POWER(+)	A	A
B	White :POWER(-)	B	B
C	(NC)	C	C
D	(NC)	D	D
E	(NC)	E	E
F	(NC)	F	F
G	(NC)	G	G
H	(NC)	H	H
CASE (NC)			



6PIN

PT100Ω out 3wire



SET101-MV-42XP□□-□□□ / AMP BOX

CODE	Range
<input type="checkbox"/> 100	100°C
<input type="checkbox"/> 200	200°C

CODE	Sheath length
<input type="checkbox"/> 20	20mm
<input type="checkbox"/> 40	40mm
<input type="checkbox"/> 70	70mm

承認者 DESIGNED APPROVED BY 承認日 DATE

REV. NO.	DATE	NOTE
REV. NO.	DATE	NOTE
REV. NO.	DATE	NOTE

会社名 COMPANY NAME

APP	REV	DSG	APP	TITLE
			H.Narita	SET101-MV-42XP□□-□□□ / AMP BOX
			T.Yamada	SCALE 1:1
			M.Katsura	3rd DRAWING
DATE				9902966
DATE				2014.11.28

Rev.

TEM-TECH LAB.